



ROSA-LC 10Gbps 850nm

Features:

- Data rates up to 10Gbps.
- 850nm multimode.
- -40°C to 85°C Operation.
- High reliability
- Received signal strength indicator(RSSI).
- Differential Output.
- LC plastic barrel

Applications:

- High speed Data Communication.
- 10G Gigabit Ethernet.

Specifications:

Absolute Maximum Ratings

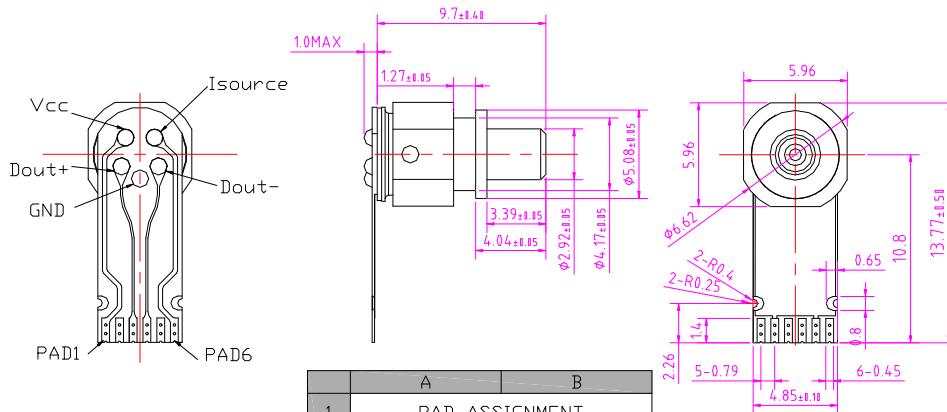
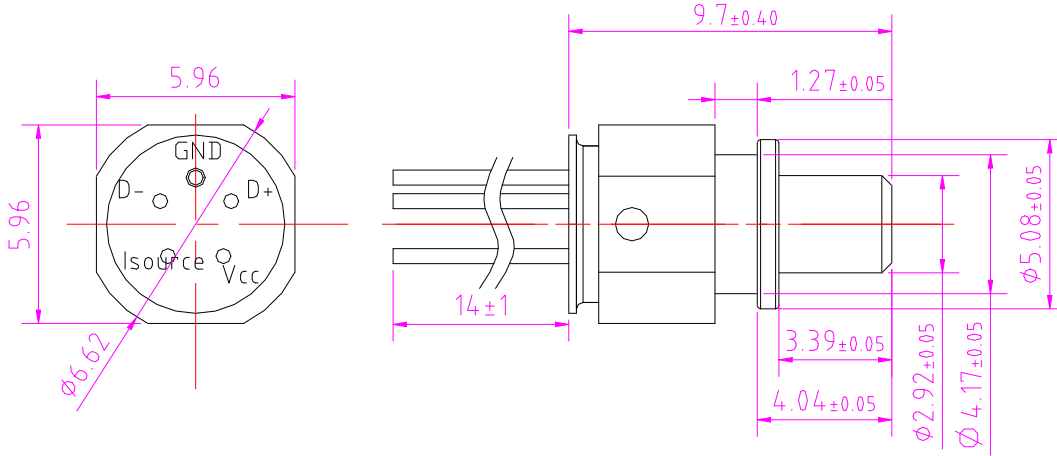
Parameter	Symbol	Min	Max	Unit
Input optical power	Pin	--	5	dBm
Operating Temperature	T _{op}	-40	85	°C
Storage Temperature	T _{stg}	-40	100	°C
Lead Solder Temperature	--	--	260	°C
Lead Soldering Time	--	--	10	s

Specifications (T=25°C, unless otherwise noted)

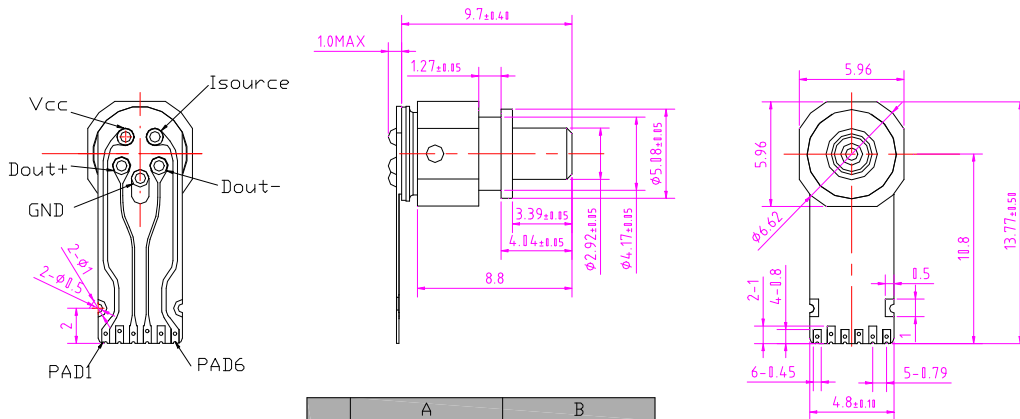
Parameter	Symbol	Test Conditions	Min.	Typ.	Max.	Unit
Supply Voltage	V _{cc}	--	3.0	3.3	3.6	V
Supply Current	I _{cc}	V _{cc} =3.3V	--	--	40	mA
Operating Wavelength	λ	V _{cc} =3.3V	830	850	870	nm
RSSI Offset Current	I _d	V _{cc} =3.3V	--	--	100	nA
Overload	OL	V _{cc} =3.3V	3	--	--	dBm
Sensitivity	Sen	10.3125Gbps,PRBS31, 850nm,ER=4.5dB, BER=10E-12	--	--	-13	dBm



Mechanical Dimension and Pin Assignment:



	A	B
1	PAD ASSIGNMENT	
2	PAD1	Vcc
3	PAD2	GND
4	PAD3	DOUT+
5	PAD4	DOUT-
6	PAD5	GND
7	PAD6	Isource



	A	B
1	PAD ASSIGNMENT	
2	PAD1	Vcc
3	PAD2	GND
4	PAD3	DOUT+
5	PAD4	DOUT-
6	PAD5	GND
7	PAD6	Isource

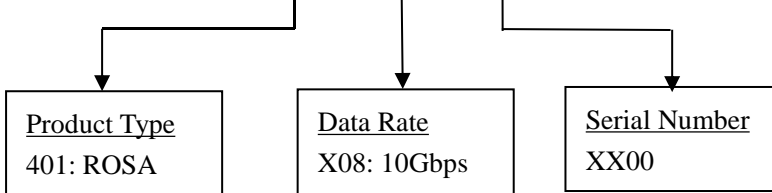
Order Information:

SAN-U P/N:

401

X08

XX00



Statement:

SAN-U owns the authority for final explanation of all information contained in this document, which is subject to change without notice. All the information was obtained in particular environments; and SAN-U will not be responsible for the performance of the customers' actual operating environments. All information contained is only for the users' reference and shall not be considered as warranted characteristics. SAN-U will not be liable for damages arising directly or indirectly which from any use of the information contained in this document.

Contact Information:

Address: N501-505 Weiye Bldg., Xiamen Pioneering Park For Overseas Chinese Scholars, Xiamen, Fujian, China

Tel: +86-592-3898601, 3898608, 5318000

Fax: +86-592-5703588

Email: sales@san-u.com <http://www.san-u.com>