



10G XG-SPON ONU BOSA-SC

Features:

- High-stability 1270nm DFB laser
- Built-in GaInAs/InP monitor photodiode
- Low threshold
- High reliability
- High sensitive 10.3125G APD+TIA
- SC Receptacle

Applications:

- Optical communication system

Specifications:

Absolute Maximum Ratings (Tc=25 , unless otherwise noted)

Parameter	Symbol	Min	Max.	Unit
LD Reverse Voltage	$V_{r(LD)}$	--	2	V
LD Forward Current	$I_{f(LD)}$	--	120	mA
PD Forward Current	$I_{f(PD)}$	--	2	mA
PD Reverse Voltage	$V_{r(PD)}$	--	20	V
Operating Temperature	T_{op}	-40	85	
Storage Temperature	T_{stg}	-40	85	
Lead Solder Temperature	--	--	260	
Lead Soldering Time	--	--	10	s

Transmitter Optical& Electrical Characteristics(Tc=25 , unless otherwise noted)

Parameter	Symbol	Test Condition	Min	Typ	Max	Unit
Threshold Current	I _{th}	Tc=25	--	8	10	mA
		Tc=85	--	--	40	
Forward Voltage	V _f	I _{op} =I _{th} +20mA	--	--	1.7	V
Monitor Current(MPD)	I _m	I _{op} =I _{th} +20mA	50	--	1000	uA
Dark Current(MPD)	I _d	V _r =5V	--	--	100	nA

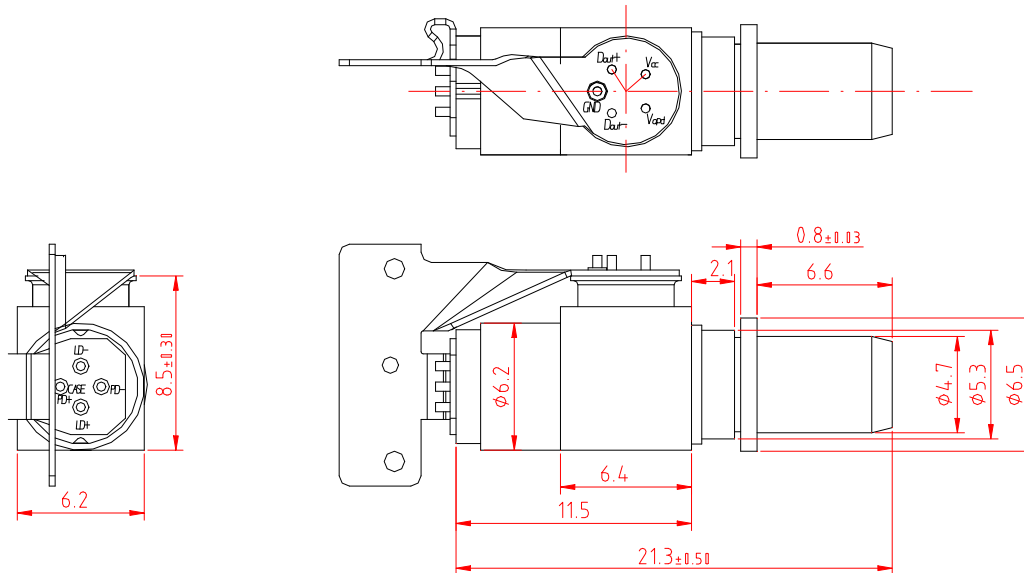


Optical Output Power	Po	lop=lth+20mA	1.50	--	--	mW
Slope efficiency	SE	lop=lth+20mA	0.075	--	--	mW/mA
Central Wavelength	λ_c	lop=lth+20mA	1260	1270	1280	nm
Spectral Width ,-20dB	$\Delta\lambda$	lop=lth+20mA	--	--	1	nm
Side-mode suppression Ratio	SMSR	lop=lth+20mA	35	40	--	dB
Rise/Fall Time	Tr/Tf	20~80%	--	--	50	ps
Tracking Error	TE	lop=lth+20mA, -40 ~85	-1.5	--	+1.5	dB

Receiver Optical& Electrical Characteristics(Tc=25 , unless otherwise noted)

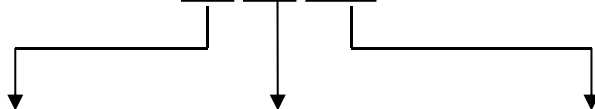
Parameter	Symbol	Test Condition	Min	Typ	Max	Unit
Operating Voltage	Vcc	--	3.0	3.3	3.6	V
Supply current	Icc	Vcc=3.3V	40	55	70	mA
Operating Wavelength	λ_c	--	1575	1577	1585	nm
Sensitivity	Sen	10.3125Gbps,PRBS31,	--	--	-24	dBm
Overload	OL	1577nm,ER=6dB	-5	--	--	dBm
Breakdown Voltage	Vbr	lop=10uA	25	34	40	V
Optical Crosstalk	Xtalk	1270nm Internal Laser	--	--	-40	dB

Outline Diagram and Pin Assignment (Unit:mm)



Order Information:

SAN-U P/N: 403 034 0500





Product Type

403: BOSA

Data Rate

034: 10G

Serial Number

0500

Statement:

SAN-U owns the authority for final explanation of all information contained in this document, which is subject to change without notice. All the information was obtained in particular environments; and SAN-U will not be responsible for the performance of the customers' actual operating environments. All information contained is only for the users' reference and shall not be considered as warranted characteristics. SAN-U will not be liable for damages arising directly or indirectly which from any use of the information contained in this document.

Contact Information:

Address: N501-505 Weiye Bldg., Xiamen Pioneering Park For Overseas Chinese Scholars, Xiamen, Fujian, China

Tel: +86-592-3898601, 3898608, 5318000

Fax: +86-592-5703588

Email: sales@san-u.com

<http://www.san-u.com>
