



BOSA 10Gbps

Features:

- High-stability 1xx0nm DFB laser
- InGaAs PIN Photodiode
- Single +3.3V power Supply

Applications:

- Optical communication systems

Specifications:

Absolute Maximum Ratings

Parameter	Symbol	Min	Max.	Unit
LD Reverse Voltage	$V_{r(LD)}$	--	2	V
LD Forward Current	$I_{f(LD)}$	--	120	mA
PD Forward Current	$I_{f(PD)}$	--	2	mA
PD Reverse Voltage	$V_{r(PD)}$	--	20	V
Operating Temperature	T_{op}	-20	85	°C
Storage Temperature	T_{stg}	-40	85	°C
Lead Solder Temperature	--	--	260	°C
Lead Soldering Time	--	--	10	s

Transmitter Optical & Electrical Characteristics (T=25°C)

Parameter	Symbol	Test Condition	Min	Typ	Max	Unit
Threshold Current	I _{th}	25°C	--	--	12	mA
		85°C	--	--	40	mA
Forward Voltage	V _f	I _{op} =I _{th} +20mA	--	--	1.7	V
Monitor Current(MPD)	I _m	I _{op} =I _{th} +20mA	50	--	1000	uA
Dark Current(MPD)	I _d	V _r =5V	--	--	100	nA
Optical Output Power	P _o	I _{op} =I _{th} +20mA, 25°C	0.8	--	1.6	mW
		I _{op} =I _{th} +20mA, 85°C	0.5	--	--	mW
Slope efficiency	SE	I _{op} =I _{th} +20mA, 25°C	0.04	--	0.08	mW/mA
		I _{op} =I _{th} +20mA, 85°C	0.025	--	--	mW/mA
Central Wavelength		I _{op} =I _{th} +20mA	-10		10	nm
Spectral Width , -20dB		I _{op} =I _{th} +20mA	--	--	1	nm
Side-mode suppression Ratio	SMSR	I _{op} =I _{th} +20mA	30	--	--	dB
Rise/Fall Time	Tr/Tf	20~80%	--	50	--	ps
Tracking Error	TE	-20°C~85°C	-1.5	--	+1.5	dB

270nm, 1330nm

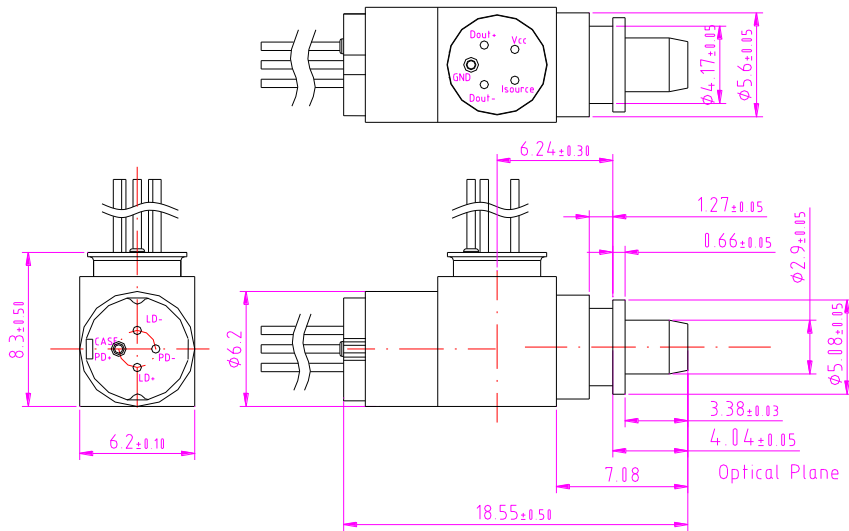


Receiver Optical/Electrical Characteristics

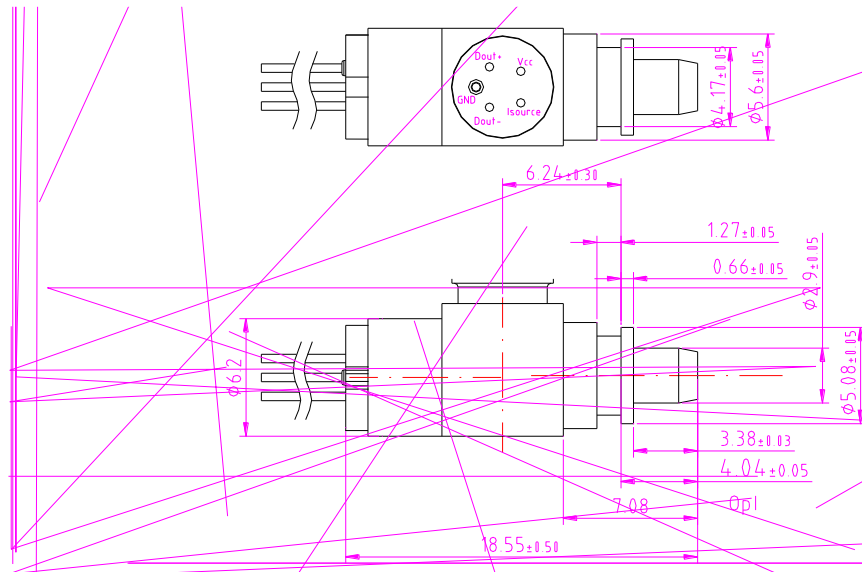
Parameter	Symbol	Test Condition	Min	Typ	Max	Unit
Operating Voltage	Vcc	--	3.0	3.3	3.6	V
Supply current	Icc	Vcc=3.3V	--	--	35	mA
Operating Wavelength		--	-10		10	nm
RSSI Offset Current	Id	Vcc=3.3V	--	--	100	nA
Sensitivity	Sen	10.3125Gbps,PRBS31,	--	--	-15	dBm
Overload	OL	ER=6dB,BER=1E-12	0	--	--	dBm

Outline Dimension and PIN Definitions

TYPE-A

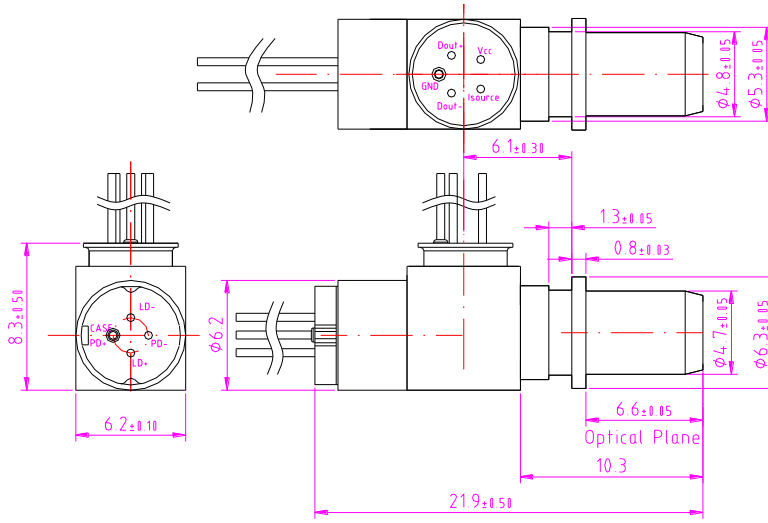


TYPE - B

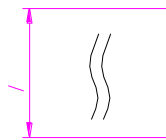




TYPE - C



TYPE - D



Order Information:

BOSA — — 10Gbps — — —

Receptacle
LC
SC

TX Central Wavelength
1270 DFB
1330 DFB

RX Central Wavelength
1270nm
1330nm

Outline Dimension
A:TYPE A
B:TYPE B
C:TYPE C
D:TYPE D



Statement:

SAN-U owns the authority for final explanation of all information contained in this document, which is subject to change without notice. All the information was obtained in particular environments; and SAN-
operating environments. All information contained is only for the users' reference and shall not be considered as warranted characteristics. SAN-U will not be liable for damages arising directly or indirectly which from any use of the information contained in this document.

Contact Information:

Address: N501-505 Weiye Bldg., Xiamen Pioneering Park For Overseas Chinese Scholars, Xiamen, Fujian, China

Tel: +86-592-3898601, 3898608, 5318000

Fax: +86-592-5703588

Email: sales@san-u.com

<http://www.san-u.com>
