



## ROSA-LC 25Gbps 850nm with Flex

### Features:

°C   °C

### Applications:

### Specifications:

#### Absolute Maximum Ratings

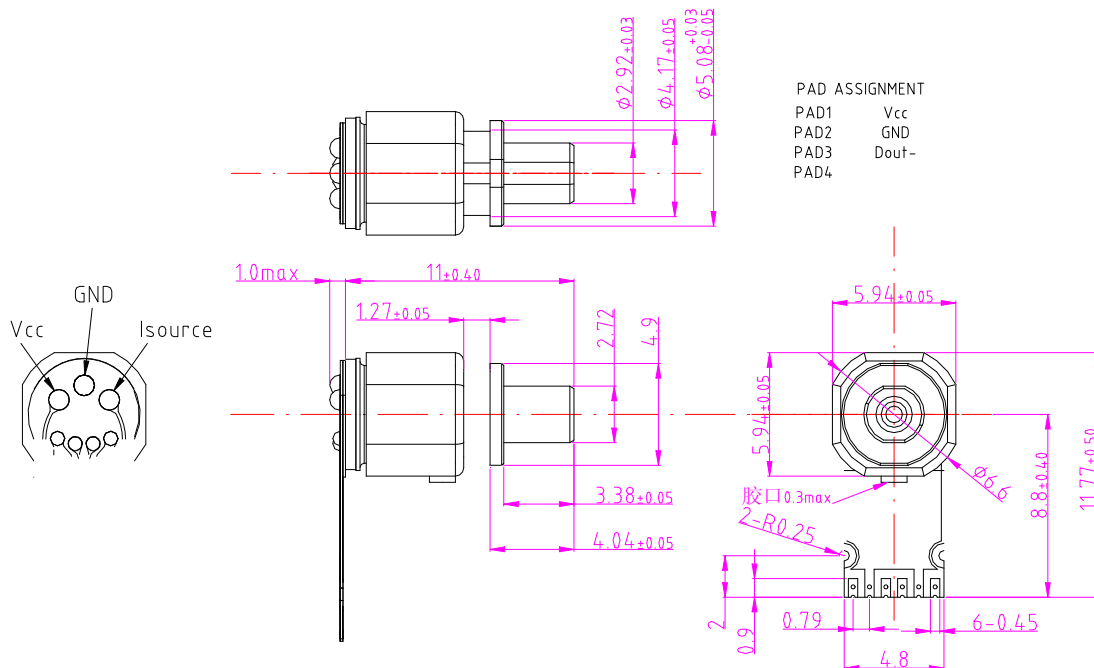
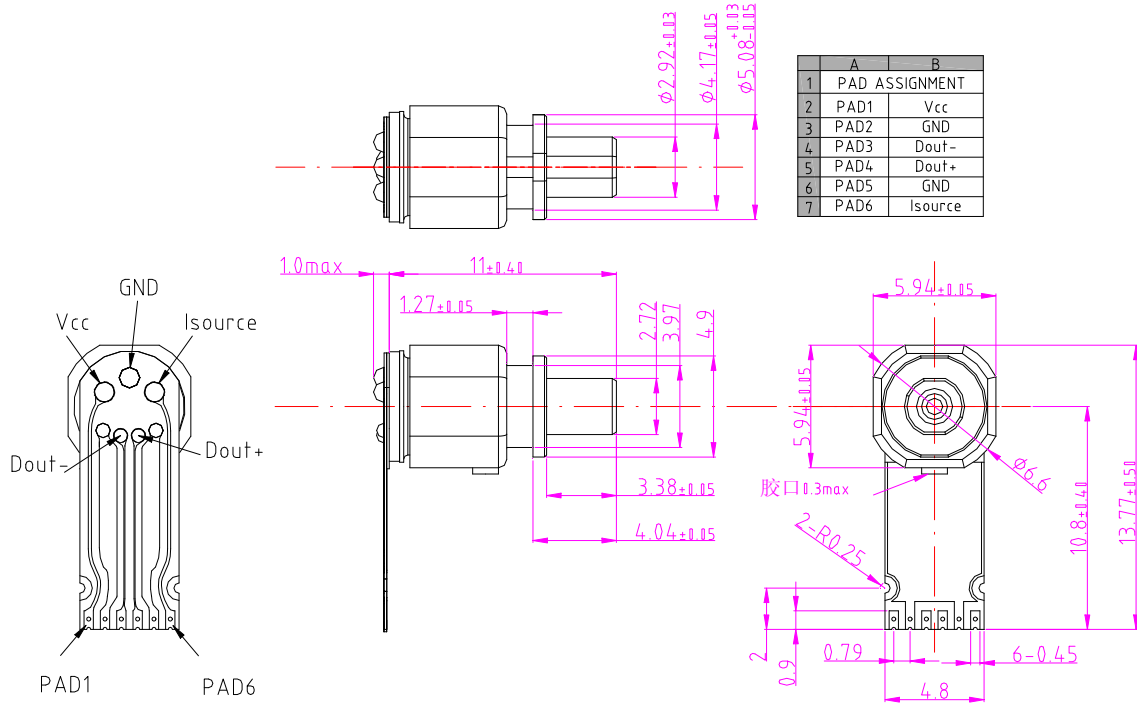
Parameter	Symbol	Min	Max.	Unit
				°C
				°C
				°C

#### Specifications (T=25°C, unless otherwise noted)

Parameter	Symbol	Test Conditions	Min.	Typ.	Max.	Unit



### Mechanical Dimension and Pin Assignment:

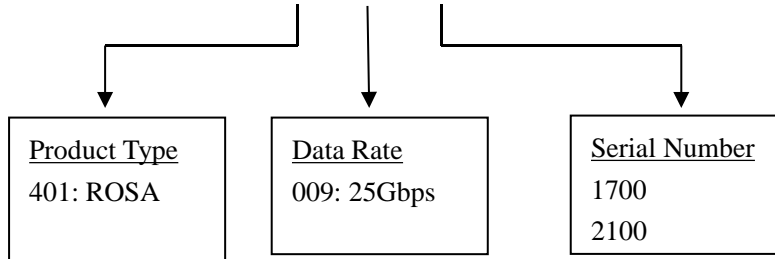




## Order Information:

**SAN-U P/N:**

**401 009 XX00**



## Statement:

---

## Contact Information: