



Mini PD80 with pigtail

Features:

- Low Capacitance and High Speed with a Mini PIN Structure
- Low Voltage Operation
- Low Dark Current
- Excellent Stability

Applications:

- Optical Fiber Communication Systems to 1.0GHz
- Fiber Power Monitoring
- Spectral Measurement

Specifications:

Absolute Maximum Ratings

Parameter	Symbol	Min	Max.	Unit
PD Forward Current	$I_{f(PD)}$	--	10	mA
PD Reverse Voltage	$V_{r(PD)}$	--	20	V
Input optical power	P_{in}	--	3	dBm
Operating Temperature	T_{op}	-40	85	°C
Storage Temperature	T_{stg}	-40	85	°C
Lead Solder Temperature	--	--	260	°C
Lead Soldering Time	--	--	10	s

Optic and Electric Characteristics($T_a=25^{\circ}C$)

Parameter	Symbol	Test Condition	Min	Typ	Max	Unit
Bandwidth	BW	$V_r=5V, -3dB$	1.0	--	--	GHz
Responsivity	Res	1550nm, $V_r=5V$	0.85	0.90	--	A/W
Dark Current	I_d	$V_r=5V$	--	--	1	nA
Total Capacitance	C_t	$V_r=5V$	--	--	1.1	pF
Optical Return Loss	ORL	1550nm	--	--	-40	dB

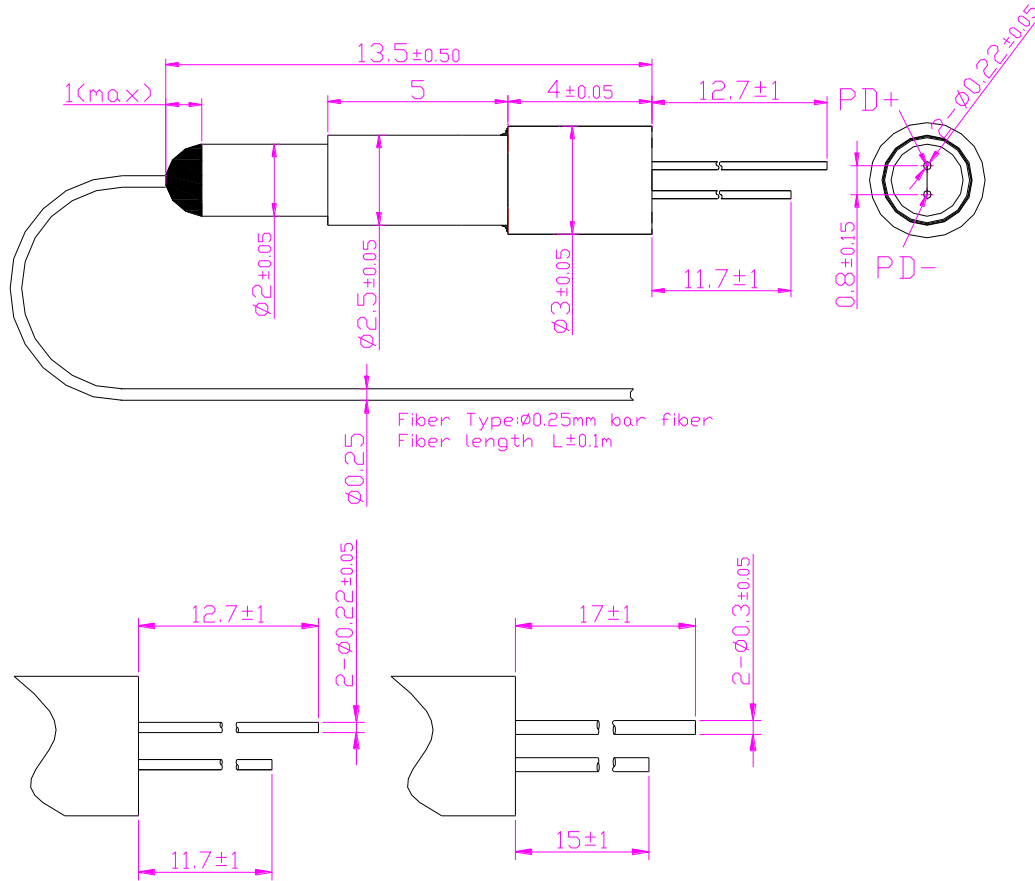
Fiber Pigtail Characteristics

Parameter	Specifications
Fiber Type	Corning SMF-28e(Type ITU-T G.652.D) 250um
Fiber bend radius	
Fiber Length	$L \pm 0.1$ m
Fiber color	Natural or Black
Connector Type	None

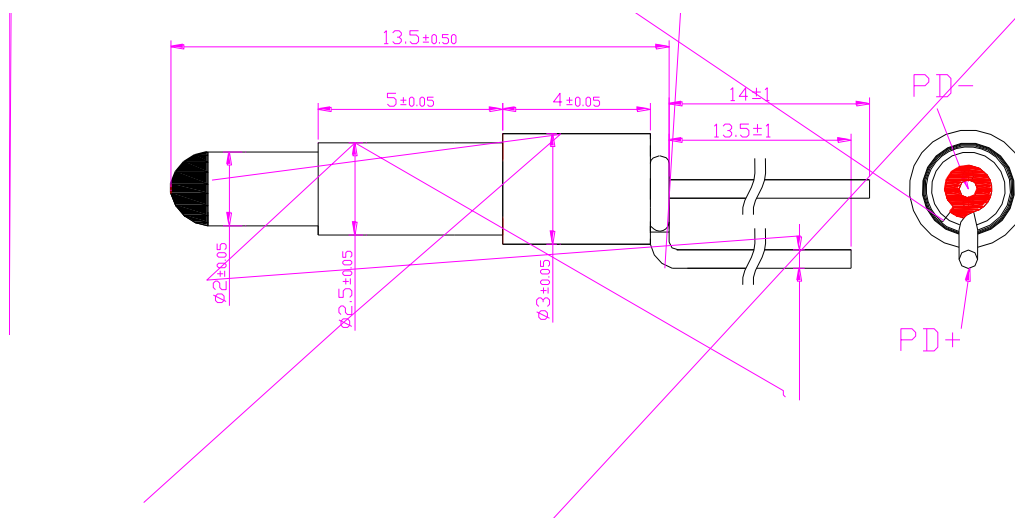


Outline:

TYPE A



TYPE B





Order Information:

Mini PD80 0.25mm

—	□	—	□	—	□
<u>Fiber Length</u> 1m:1.0±0.1m 2m:2.0±0.1m		<u>Fiber color</u> Natural Black		<u>PIN OUT</u> TYPE A TYPE B	

Statement:

SAN-U owns the authority for final explanation of all information contained in this document, which is subject to change without notice. All the information was obtained in particular environments; and SAN-U will not be responsible for th

All information contained is only for the users' reference and shall not be considered as warranted characteristics. SAN-U will not be liable for damages arising directly or indirectly which from any use of the information contained in this document.

Contact Information:

Address: N501-505 Weiye Bldg., Xiamen Pioneering Park For Overseas Chinese Scholars, Xiamen, Fujian, China

Tel: +86-592-3898601, 3898608, 5318000

Fax: +86-592-5703588

Email: sales@san-u.com

<http://www.san-u.com>